

Vandal Resistant CP-BS Lead Safe™ J/V Wall Sink Set (NSW) w/120H Swivel G/Neck & V/R Aerator

PRODUCT CODE

- 174.51.22.03



SPECIFICATIONS

- Vandal resistant handle featuring a locking ring to secure the handle to the spindle which may only be removed using the key provided
- Chrome plate finish for easy cleaning and added durability.
- Complies with NSW Education EFSG Guidelines.
- Lead Safe™ brass construction*

IMPORTANT: All Vandal resistant taps are tested in accordance with AS/NZS 3718 and leave our premises in good working order.

*As 'lead free' is not currently defined by law in Australia and New Zealand, we have based our definition of Lead Safe™ on the requirements of Sec. 1417 of the USA's Safe Drinking Water Act (SDWA) and the relevant US standards NSF61 / NSF372. The SDWA defines 'lead free' as "not more than a weighted average of 0.25% lead when used with respect to the wetted surface of pipes, pipe fittings, plumbing fittings and fixtures".

WARNINGS: Special attention to be paid on notes, photos, images, or drawings of assembly steps marked with the warning symbol.



TECHNICAL DATA

Inlet	1/2" BSP - Female	
Outlet	N/A	
Headwork	Jumper Valve	
Working Pressure Range (kPa)	Min	50
	Max	500
Working Temperature Range (°C)	Min	5
	Max	65
Nominal Flow Rate (LPM)	5.8	
Construction	Brass	
Finish	Chrome	

NOTE: Galvin Engineering continually strive to improve their products. Specifications may change without notice.

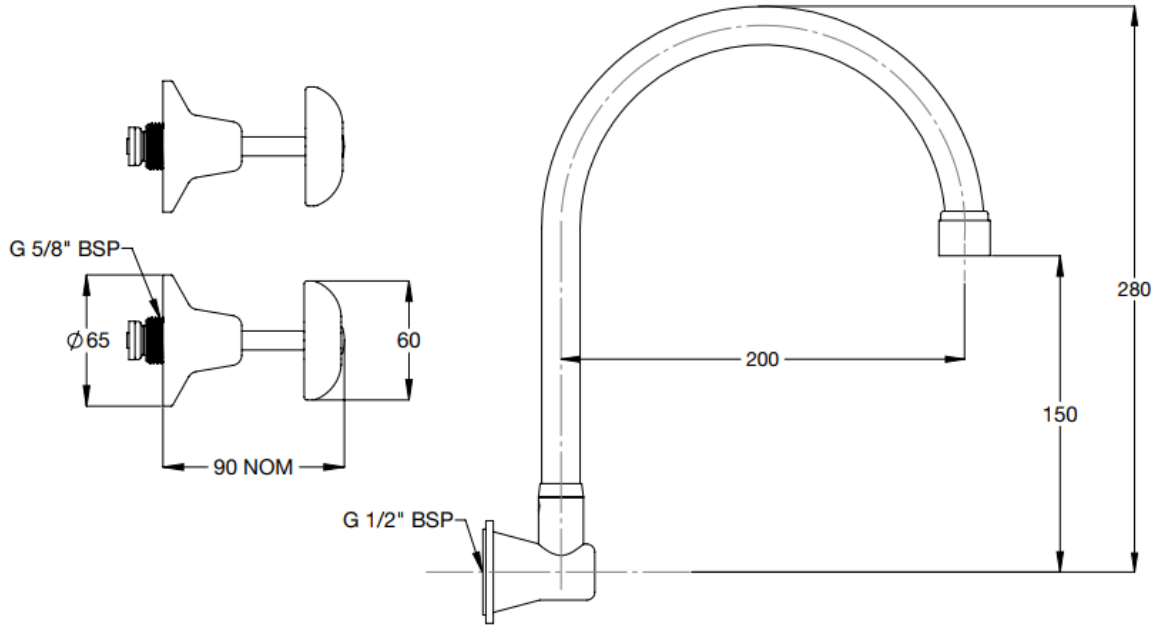
TOOLS REQUIRED

- Spanner or adjustable crescent
- Hex key
- Thread tape

PRE-INSTALLATION

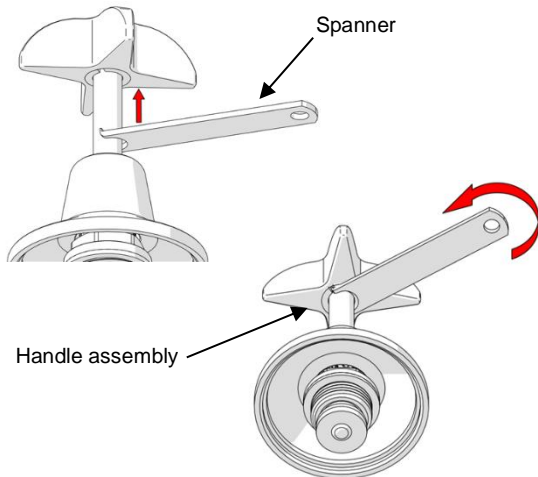
DIMENSIONS

! Note: Before installation, all lines must be flushed. We recommend that a line strainer be installed prior to drinking taps to eliminate any foreign material.



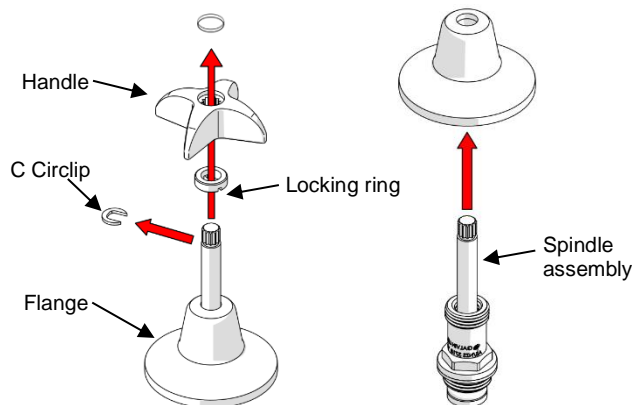
INSTALLATION

INSTALLATION COMPLIANCE: Galvin Engineering products must be installed in accordance with these installation instructions and in accordance with AS/NZS 3500, the PCA and your local regulatory requirements. Water and/or electrical supply conditions must also comply to the applicable national and/or state standards. Failing to comply with these provisions shall void the product warranty and may affect the performance of the product.



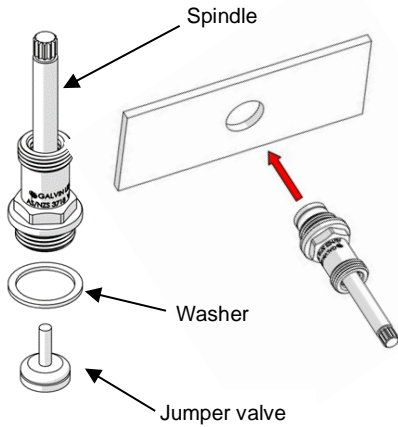
1. Remove locking ring

- Using the supplied spanner, remove the handle assembly locking ring as shown.



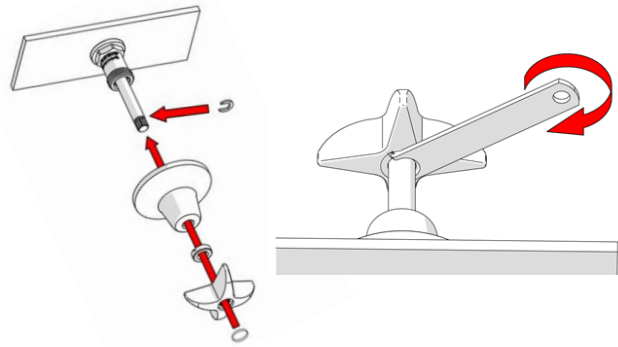
2. Disassemble

- Remove the balance of components as shown.



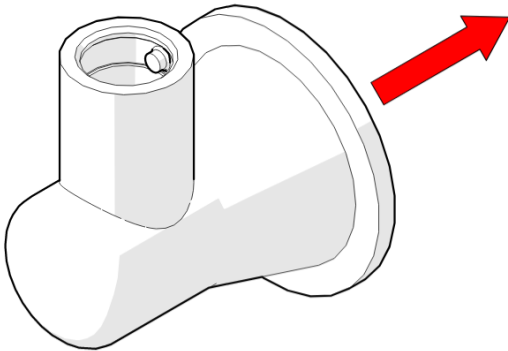
3. Fit spindle

- Fit spindle assembly ensuring the washer and jumper valve is in place.
- Thread tape should be used before fitting the assembly.



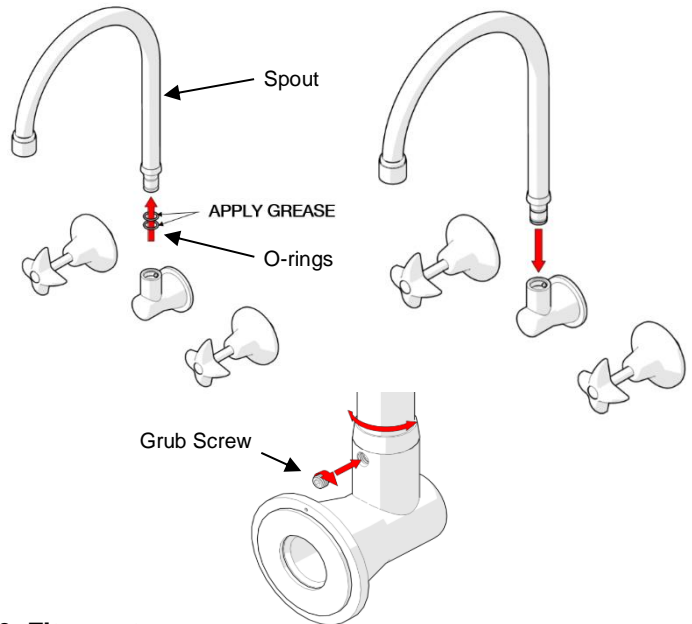
4. Re-assemble

- Fit the assembly components by reversing steps 2 & 1 as shown.



5. Fit outlet base

- Fit outlet base to the wall
- Thread tape should be used before fitting the assembly



6. Fit spout

- Grease spout O-rings and fit the spout.
- Tighten grub screw using a hex key



7. Testing

- Turn on water supply and test for leaks and correct operation

TROUBLESHOOTING		
PROBLEM	CAUSE	RECTIFICATION
Water is not flowing from tap	Water supply is turned off	Turn on water supply
	Obstruction on spout	Check if there are obstructions hindering the water flow in the spout and take it out.
Assembly is leaking	Ensure thread tape was used when the assembly was installed	Repeat installation steps ensuring thread tape is used to seal the assembly
	The supplied washer wasn't installed.	Repeat installation steps ensuring the tap washer is correctly in place
Tap is leaking	Worn jumper valve.	Remove the top assembly and replace the jumper valve

WARRANTY
<p>The warranty set forth herein is given expressly and is the only warranty given by the Galvin Engineering Pty Ltd. With respect to the product, Galvin Engineering Pty Ltd makes no other warranties, express or implied. Galvin Engineering Pty. Ltd. hereby specifically disclaims all other warranties, express or implied, including but not limited to the implied warranties of merchantability and fitness for a particular purpose.</p> <p>Galvin Engineering Pty Ltd products are covered under our manufacturer's warranty available for download from www.galvinengineering.com.au Galvin Engineering Pty Ltd expressly warrants that the product is free from operational defects in workmanship and materials for the warranty period as shown on the schedule in the manufacturer's warranty. During the warranty period, Galvin Engineering will replace or repair any defective products manufactured by Galvin Engineering without charge, so long as the terms of the Manufacturer's warranty are complied with.</p> <p>The remedy described in the first paragraph of this warranty shall constitute the sole and exclusive remedy for breach of warranty, and Galvin Engineering Pty Ltd shall not be responsible for any incidental, special or consequential damages, including without limitation, lost profits or the cost of repairing or replacing other property which is damaged if this product does not work properly, other costs resulting from labour charges, delays, vandalism, negligence, fouling caused by foreign material, damage from adverse water conditions, chemical, electrical or any other circumstances over which Galvin Engineering has no control. This warranty shall be invalidated by any abuse, misuse, misapplication, improper installation or improper maintenance or alteration of the product.</p>